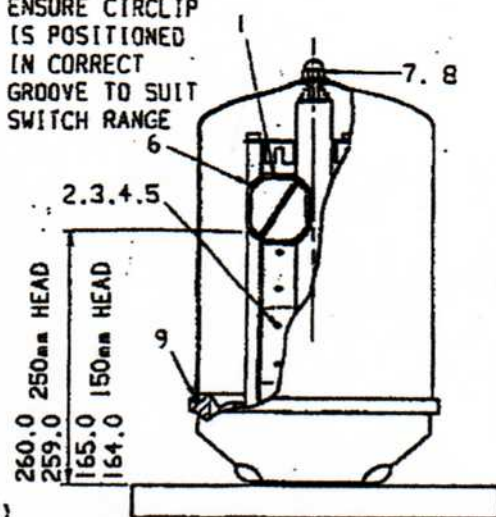


RECOMMENDED SPARE KITS FOR 1 YEARS OPERATION

PACK	NUMBER OF CONTROLS ON SITE		PACK	ONE	TWO OR MORE
	ONE	TWO OR MORE			
SK50	1	2			
SK51	1	2			
SK52	1	2			
SK55	1	2			
SK58	1	2			
SK59	1	2			
SK63	1	2			
SK64	1	2			

SPARE KITS FOR 120/150mm & 215/250mm DIRECT MOUNTED INDUSTRIAL VERTICAL AIRBREAK CONTROL TYPES B002, 03, 05, 06, 07, 11, 12, 13, 14, 15, 16, 21, 22, 40, 44, AND HYDRAULIC TEST TYPES BDT02, 03.

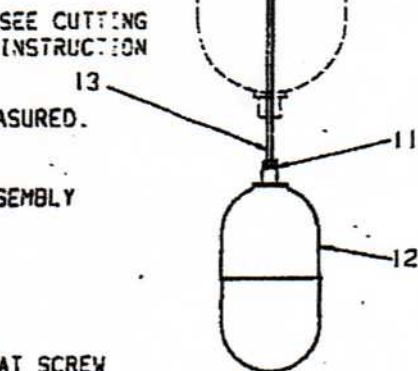
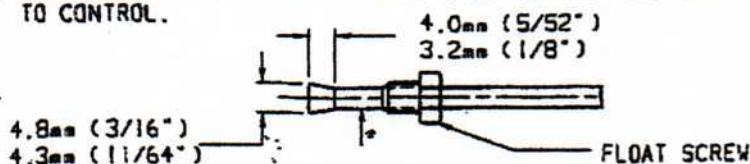
ENSURE CIRCLIP IS POSITIONED IN CORRECT GROOVE TO SUIT SWITCH RANGE



ITEM	DESCRIPTION	QTY. PER
1	SWITCH	2 TO 6
2	TERMINAL BLOCK	1 PER SWITCH UNIT
3	SCREW	2 PER SWITCH UNIT
4	WASHER	2 PER SWITCH UNIT
5	NUT	2 PER SWITCH UNIT
6	CIRCLIP	1 PER SWITCH UNIT
7	RETAINING RING VISTOP	1 (SET OF 2)
8	WASHER TOP SEALING	1 (SET OF 2)
9	SQUARE SECTION SEAL	1 (SET OF 2)
10	JOINT	1 (IMP. SET OF 5) 1 (METRIC SET OF 2)
11	WASHER	1
12	FLOAT	1
13	FLOAT ROD ASSEMBLY	1

INSTRUCTIONS FOR CUTTING FLOAT ROD

1. MEASURE OVERALL LENGTH, INCLUSIVE OF MAGNET, OF FLOAT ROD ASSEMBLY TO BE REPLACED.
2. AT ROD END MARKED THUS * (SEE SKETCH) CUT OVERALL LENGTH OF SPARE ASSEMBLY TO LENGTH MEASURED.
3. ENSURE FLOAT SCREW IS ON FLOAT ROD AS SHOWN.
4. FORM END OF ROD TO DIMENSIONS SHOWN.
5. ENSURE MAGNET IS FREE OF SWarf etc. BEFORE ASSEMBLY TO CONTROL.



KIT	DESCRIPTION	ITEMS IN KIT	USED ON
SK50	SWITCH	1,2,3,4,5,6,7,8,9	ALL MODELS
SK51	FLOAT UP TO 21 BAR	11,12	B002,03,07,11,12,13,14,15,16,40
SK52	FLOAT OVER 21 BAR	11,12	B005,06,21,22,44,BDT02,03
SK55	ROD O.M. 765mm	11,13	ALL 80 MODELS EXCEPT B005,06
SK58	ROD 150 DM CUP DUNK	11,13	B002
SK59	ROD 250 DM CUP DUNK	11,13	BDT03
SK63	GASKETS IMPERIAL	7,8,9,10	B007,11,12,13,14,15,16,40
SK64	GASKETS METRIC	7,8,9,10	B002,03,05,06,21,22,44,BDT02,03

ISSUE 3 DATE 22/5/98

MOBREY

DRG. No. SKD6