

Mobrey M-Switch

Float operated liquid level switch

Data sheet
IP116

M - Switch

- Small in-tank dimensions
- Simple liquid level alarm
- Traditional high reliability switching
- European Directive compliance
- ATEX Flameproof models EExd

Features

- Tough industrial build quality
- 316 St. Steel construction
- Flanged or threaded mounting

Description

Manufactured in 316 stainless steel throughout, the M-Switch is available for side mounting with either a flange or 2" thread. Comprising a small float on the wet side and a body containing a high current micro-switch on the dry side, the Mobrey M-Switch will reliably detect liquid level to give a voltage free contact operation for alarm signalling or as part of a pump control system.

Operation

One permanent magnet forms part of a float assembly which rises and falls with changing liquid level. A second permanent magnet is positioned within the switch so that the adjacent poles of the two magnets repel each other through the non-magnetic wall of the switch body.

A change of liquid level which moves the float through its permissible travel will cause the float magnet to move and repel the switch magnet to give snap-action operation of the micro-switch contacts.

Typical Applications

- Low level alarms in lubricating oils & fuel oils
- Pump control duty in header tanks
- High and low alarms in condensate tanks
- Level and pump control in storage tanks

Installation

The M-Switch is designed for side mounting either direct into a vessel or in an external chamber. Choose a position where the effects of turbulence caused by agitators or inlets are minimised. The switch should be positioned so that the float may move freely over its full travel and not foul the sides, bottom or top of the tank. A flange or threaded boss is recommended for pressurised applications, designed such that the float is free to move over its full travel. Refer to Installation leaflet for full details.

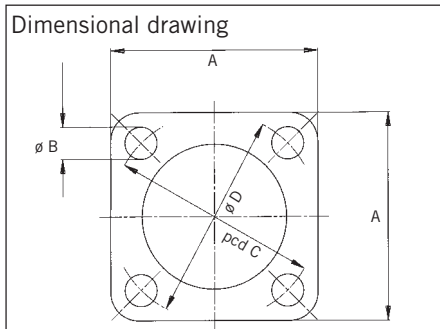
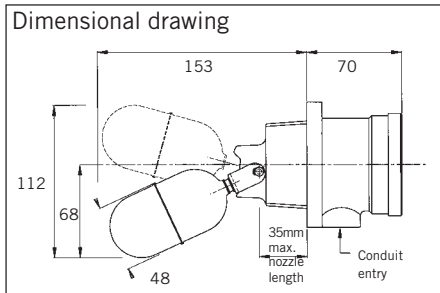
Technical Specification

| | |
|--------------------------------------|-------------------------------|
| Operating pressure | See table overleaf |
| Operating temp. Ambient temp. | 0°C to +130°C 0°C to +60°C |
| Minimum S. G. Differential | 0.75 25mm |
| Length into tank | 153mm |
| Float diameter | 48mm |
| Max. float swing | 112mm |
| Switching function | SPCO |
| Wetside material | 316 St. Steel |
| Body material | 316 St. Steel |
| End cover matl. | 316 St. Steel |
| Gasket: | |
| A flange | Non-Asbestos |
| D flange | Ethylene Prop. |
| Conduit entry | |
| A,D flange | M20 |
| BSPT thread | M20 |
| NPT thread | ½" NPT |



ATEX



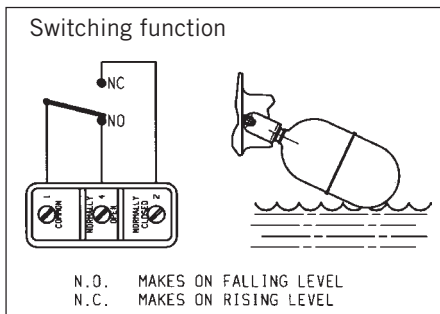


| | A | B | C | D* |
|----------|----|----|----|----|
| Mobrey A | 92 | 14 | 92 | 66 |
| Mobrey D | 92 | 9 | 83 | 50 |

*Mounting hole Dia. D to be +/-1mm

Approvals

Marine: Germanischer Lloyd
ATEX: 11 1/2G EExd IIC T6
0 to 50°C



Weatherproof models

| Code | Description | | |
|------|---|---------------|----------|
| SM | Mobrey M-Switch, 316 St. Steel construction | | |
| Code | Mounting arrangement | Max. pressure | |
| | | 20°C | 130°C |
| A | Mobrey "A" Flange | 19 bar | 15.4 bar |
| D | Mobrey "D" Flange | 3 bar | 3 bar |
| B | 2" BSPT Threaded | 19 bar | 15.4 bar |
| N | 2" NPT Threaded | 19 bar | 15.4 bar |
| Code | Enclosure | | |
| 1 | Weatherproof IP66 / IP67 | | |

| | | | |
|----|---|---|----------------------|
| SM | A | 1 | Typical model number |
|----|---|---|----------------------|

Flameproof models

| Code | Description | | |
|------|--|---------------|--------|
| SM | Mobrey M-Switch, 316 St. Steel construction | | |
| Code | Mounting arrangement | Max. pressure | |
| | | 20°C | 130°C |
| A | Mobrey "A" Flange | 25.0 bar | 19 bar |
| B | 2" BSPT Threaded | 49.6 bar | 44 bar |
| N | 2" NPT Threaded | 49.6 bar | 44 bar |
| Code | Enclosure | | |
| 2 | Flameproof ATEX 11 1/2G EExd IIC T6 (IP66/ IP67) | | |

| | | | |
|----|---|---|----------------------|
| SM | B | 2 | Typical model number |
|----|---|---|----------------------|

| Rating | AC | DC (Res.) | DC (Ind.) |
|----------------|-----|-----------|-----------|
| Max. voltage V | 250 | 250 | 250 |
| Max. current A | 15 | 0.25 | 15mA |

The microswitch contacts are gold plated and are suitable for use in low power circuits.

Note :- Switching high power circuits will permanently damage the gold plating. Not suitable for the direct starting of large motors

Solartron Mobrey Limited

158 Edinburgh Avenue Slough
Berks UK SL1 4UE
Tel: 01753 756600
Fax: 01753 823589
e-mail: sales@solartron.com
www.solartronmobrey.com

| | | |
|---------------------------|-------------|---------------------|
| Solartron Mobrey GmbH | Deutschland | tel: 0211/99 808-0 |
| Solartron Mobrey Ltd | China | tel: 021 6353 5652 |
| Solartron Mobrey sp z o o | Polska | tel: 022 871 7865 |
| Solartron Mobrey AB | Sverige | tel: 08-725 01 00 |
| Solartron Mobrey SA | France | tel: 01.30.17.40.80 |
| Solartron Mobrey SA-NV | Belgium | tel: 02/465 3879 |
| Solartron Mobrey | USA | tel: (281) 398 7890 |



a Roxboro Group Company



The right is reserved to amend details given in this publication without notice